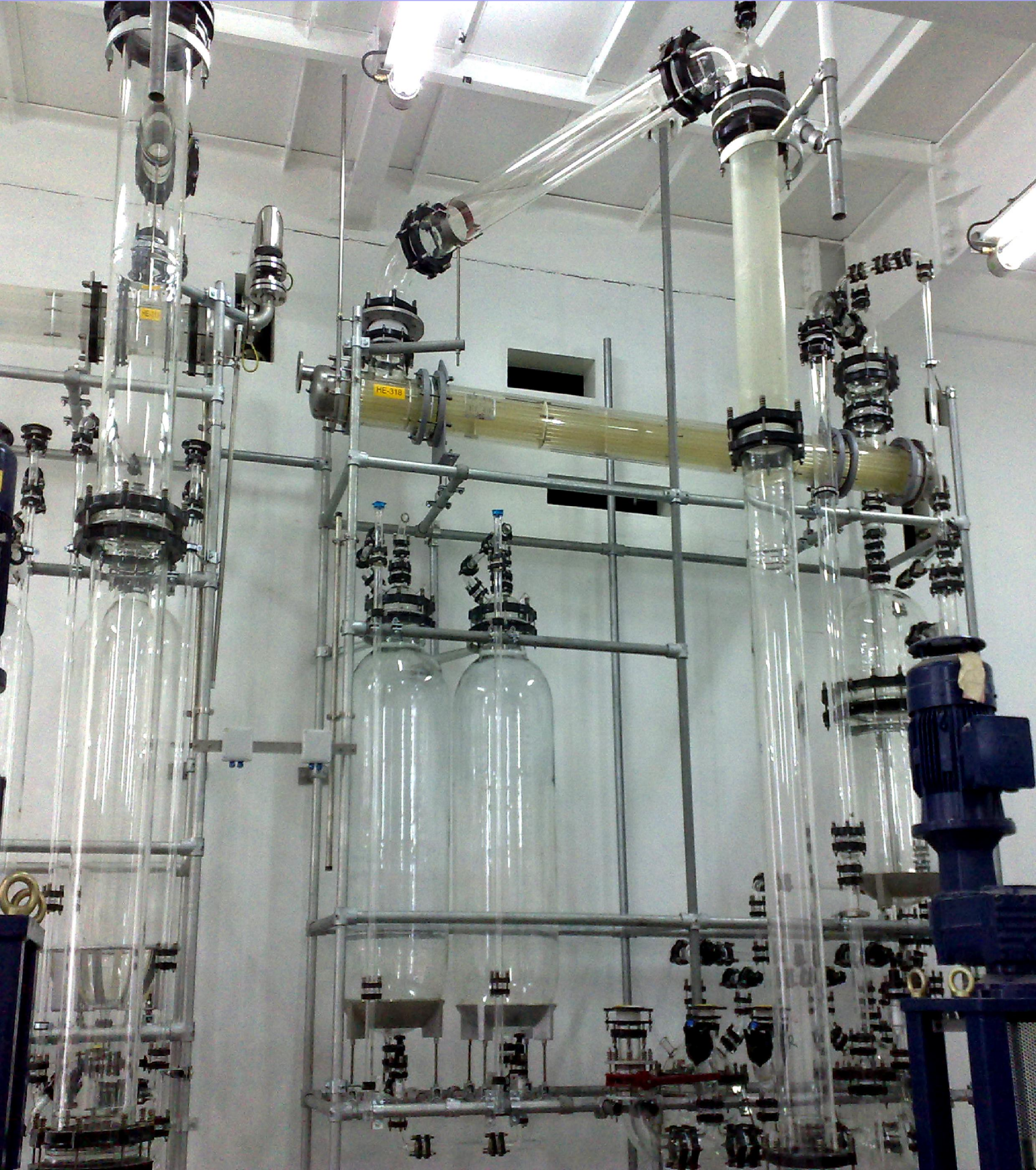


COLUMN COMPONENTS



**CONTENTS****Page**

INTRODUCTION	3
Flat-ended pipe sections	4
Flat-ended pipe sections with side neck DN25	5
Glass column sections without measurement branch	6
Glass column sections with measurement branch	7
Supporting grid	8
PTFE perforated retention plate for rashing rings	9
Glass rashing-rings	9
Glass manual reflux separator	10
Unequal tee piece	11
Closing covers	12
Inlet pipes	13
Inlet pipes, angled	13
Sprinklers for horizontal mounting	14
Sprinklers for vertical mounting	15
90° bends with measurement branch	15

INTRODUCTION



Steroglass is a company operating on a global level in the chemical, biotechnological and pharmaceutical fields. Headquartered in Perugia, Italy and fully owned by Stefano and Roberto Falocci.

It all began more than 50 years ago. Mr. Luigi Falocci, the founder and forerunner of the company, a very resourceful man, created unique hand-blown products used since the early 60's by the most renowned Italian chemists. In just a few years the Falocci family has strived to achieve remarkable goals by designing and manufacturing borosilicate glass lab equipment, industrial plants for chemical and pharmaceutical purposes as well as electronical instruments with high-tech mechanical components and related software.

Steroglass has mainly focused on evaporation, titolation, metal detection, enzymatic and colorimetric analyses.

In recent years we have added to our innovative production a big variety of worldwide imported products so as to complete our own range, thus meeting most of our researchers and lab analystis' requirements. We offer our clients state-of-the-art solutions, pursuing a local and global partnership intended to cover every customer need, always bearing in mind environmental sustainability. Our cost-effective and innovative solutions for any glassware requirements, while giving high quality and constant service, also consolidate and increase competitiveness as well as meeting the standards demanded by the market and creating new strategic opportunities.

We trust that Glass will continue to be a valuable source for research, testing and production.

R&D continuous efforts, marketing-oriented attitude and a special attention to personal and professional growth of all employees allow us to compete at highest levels worldwide. We believe fair leadership can achieve results, grow talent and reward merit.

Blueside, a new Steroglass brand, has added value to our outstanding mastery in the borosilicate glass by turning scientific glass products into artistic objects which stand out in the excellent Made in Italy.

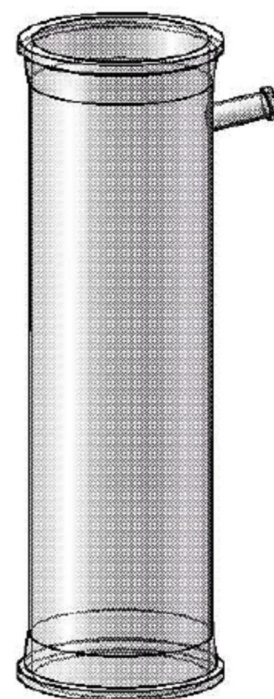
FLAT-ENDED PIPE SECTIONS



Code	Description	DN	Catalog ref.
SQSO031886	GLASS PIPE L500mm	DN80	ST/RO 80/0500/33
SQSO031885	GLASS PIPE L1000mm	DN80	ST/RO 80/1000/33
SQSO031884	GLASS PIPE L1500mm	DN80	ST/RO 80/1500/33
SQSO031636	GLASS PIPE L500mm	DN100	ST/RO 100/0500/33
SQSO031635	GLASS PIPE L1000mm	DN100	ST/RO 100/1000/33
SQSO031634	GLASS PIPE L1500mm	DN100	ST/RO 100/1500/33
SQSO039256	GLASS PIPE L500mm	DN150	ST/RO 150/0500/33
SQSO031694	GLASS PIPE L1000mm	DN150	ST/RO 150/1000/33
SQSO031693	GLASS PIPE L1500mm	DN150	ST/RO 150/1500/33
SQSO031729	GLASS PIPE L500mm	DN200	ST/RO 200/0500/33
SQSO031728	GLASS PIPE L1000mm	DN200	ST/RO 200/1000/33
SQSO024948	GLASS PIPE L1500mm	DN200	ST/RO 200/1500/33
SQSO031787	GLASS PIPE L500mm	DN300	ST/RO 300/0500/33
SQSO031786	GLASS PIPE L1000mm	DN300	ST/RO 300/1000/33
SQSO031785	GLASS PIPE L1500mm	DN300	ST/RO 300/1500/33
SQSO031840	GLASS PIPE L500mm	DN400	ST/RO 400/0500/33
SQSO031839	GLASS PIPE L1000mm	DN400	ST/RO 400/1000/33
SQSO031838	GLASS PIPE L1500mm	DN400	ST/RO 400/1500/33
SQSO031846	GLASS PIPE L500mm	DN450	ST/RO 450/0500/33
SQSO031845	GLASS PIPE L1000mm	DN450	ST/RO 450/1000/33
SQSO031844	GLASS PIPE L1500mm	DN450	ST/RO 450/1500/33
SQSO031879	GLASS PIPE L500mm	DN600	ST/RO 600/0500/33
SQSO031878	GLASS PIPE L1000mm	DN600	ST/RO 600/1000/33
SQSO031877	GLASS PIPE L1500mm	DN600	ST/RO 600/1500/33

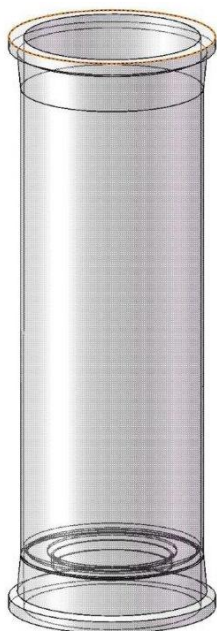
FLAT-ENDED PIPE SECTIONS WITH SIDE NECK DN25 (DN600 furnished with side neck DN50)

Code	Description	DN	Catalog ref.
SXSO041371	GLASS PIPE L500mm, SIDE NECK DN25	DN80	ST/RO 80/0500/25/33
SXSO041372	GLASS PIPE L1000mm, SIDE NECK DN25	DN80	ST/RO 80/1000/25/33
SXSO041373	GLASS PIPE L500mm, SIDE NECK DN25	DN100	ST/RO 100/0500/25/33
SXSO041374	GLASS PIPE L1000mm, SIDE NECK DN25	DN100	ST/RO 100/1000/25/33
SXSO041375	GLASS PIPE L500mm, SIDE NECK DN25	DN150	ST/RO 150/0500/25/33
SXSO041376	GLASS PIPE L1000mm, SIDE NECK DN25	DN150	ST/RO 150/1000/25/33
SXSO041377	GLASS PIPE L1500mm, SIDE NECK DN25	DN150	ST/RO 150/1500/25/33
SXSO041378	GLASS PIPE L500mm, SIDE NECK DN25	DN200	ST/RO 200/0500/25/33
SXSO041379	GLASS PIPE L1000mm, SIDE NECK DN25	DN200	ST/RO 200/1000/25/33
SXSO041380	GLASS PIPE L1500mm, SIDE NECK DN25	DN200	ST/RO 200/1500/25/33
SXSO041381	GLASS PIPE L500mm, SIDE NECK DN25	DN300	ST/RO 300/0500/25/33
SXSO041382	GLASS PIPE L1000mm, SIDE NECK DN25	DN300	ST/RO 300/1000/25/33
SXSO041383	GLASS PIPE L1500mm, SIDE NECK DN25	DN300	ST/RO 300/1500/25/33
SXSO041384	GLASS PIPE L500mm, SIDE NECK DN25	DN400	ST/RO 400/0500/25/33
SXSO041385	GLASS PIPE L1000mm, SIDE NECK DN25	DN400	ST/RO 400/1000/25/33
SXSO041386	GLASS PIPE L1500mm, SIDE NECK DN25	DN400	ST/RO 400/1500/25/33
SXSO041387	GLASS PIPE L500mm, SIDE NECK DN50	DN600	ST/RO 600/0500/25/33
SXSO041388	GLASS PIPE L1000mm, SIDE NECK DN50	DN600	ST/RO 600/1000/25/33





GLASS COLUMN SECTIONS WITHOUT MEASUREMENT BRANCH
 0.5 m, 1 m and 1.5 m LONG



Code	Description	DN	Catalog ref.
SXDI041389	COLUMN SECTION 0.5m LONG	DN200	
SXDI041390	COLUMN SECTION 1m LONG	DN200	
SXDI041391	COLUMN SECTION 1.5m LONG	DN200	
SXDI041392	COLUMN SECTION 0.5m LONG	DN300	
SXDI041393	COLUMN SECTION 1m LONG	DN300	
SXDI041394	COLUMN SECTION 1.5m LONG	DN300	
SXDI041395	COLUMN SECTION 0.5m LONG	DN400	
SXDI041396	COLUMN SECTION 1m LONG	DN400	
SXDI041397	COLUMN SECTION 1.5m LONG	DN400	
SXDI041398	COLUMN SECTION 0.5m LONG	DN600	
SXDI041399	COLUMN SECTION 1m LONG	DN600	

GLASS COLUMN SECTIONS WITH MEASUREMENT BRANCH

1 m LONG and 1.5 m LONG

Code	Description	DN	Nozzle	Catalog ref.
SXDI041400	COLUMN SECTION 500mm LONG	DN80	DN25/M	ST/KOL80/500
SXDI041403	COLUMN SECTION 500mm LONG	DN100	DN25/M	ST/KOL 100
SXDI041406	COLUMN SECTION 500mm LONG	DN150	DN25/M	ST/KOL 150
SXDI041409	COLUMN SECTION 500mm LONG	DN200	DN25/M	ST/KOL 200
SXDI041413	COLUMN SECTION 500mm LONG	DN300	DN25/M	ST/KOL 300
SQDI047649	COLUMN SECTION 500mm LONG	DN400	DN25/M	ST/KOL 400
SQDI083475	COLUMN SECTION 500mm LONG	DN450	DN25/M	ST/KOL 450
SXDI041421	COLUMN SECTION 500mm LONG	DN600	DN25/M	ST/KOL 600

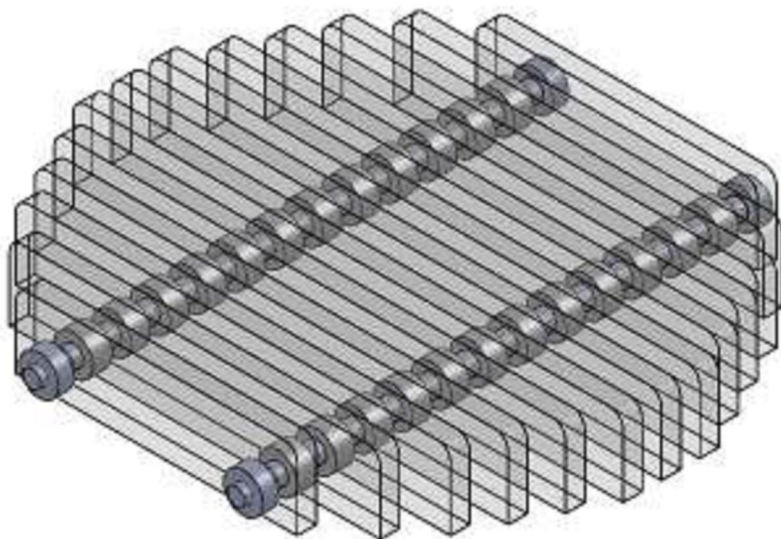
Code	Description	DN	Nozzle	Catalog ref.
SQDI027009	COLUMN SECTION 1m LONG	DN80	DN25/M	ST/KOL80/1000
SQDI027014	COLUMN SECTION 1m LONG	DN100	DN25/M	ST/KOL 100
SQDI027017	COLUMN SECTION 1m LONG	DN150	DN25/M	ST/KOL 150
SQDI027019	COLUMN SECTION 1m LONG	DN200	DN25/M	ST/KOL 200
SQDI027021	COLUMN SECTION 1m LONG	DN300	DN25/M	ST/KOL 300
SQDI027023	COLUMN SECTION 1m LONG	DN400	DN25/M	ST/KOL 400
SQDI027025	COLUMN SECTION 1m LONG	DN450	DN25/M	ST/KOL 450
SQDI027027	COLUMN SECTION 1m LONG	DN600	DN25/M	ST/KOL 600

Code	Description	DN	Nozzle	Catalog ref.
SQDI083476	COLUMN SECTION 1.5m LONG	DN100	DN25/M	ST/KOL 100/1500
SQDI027018	COLUMN SECTION 1.5m LONG	DN150	DN25/M	ST/KOL 150/1500
SQDI027020	COLUMN SECTION 1.5m LONG	DN200	DN25/M	ST/KOL 200/1500
SQDI027022	COLUMN SECTION 1.5m LONG	DN300	DN25/M	ST/KOL 300/1500
SQDI027024	COLUMN SECTION 1.5m LONG	DN400	DN25/M	ST/KOL 400/1500
SQDI027026	COLUMN SECTION 1.5m LONG	DN450	DN25/M	ST/KOL 450/1500
SQDI027028	COLUMN SECTION 1.5m LONG	DN600	DN25/M	ST/KOL 600/1500





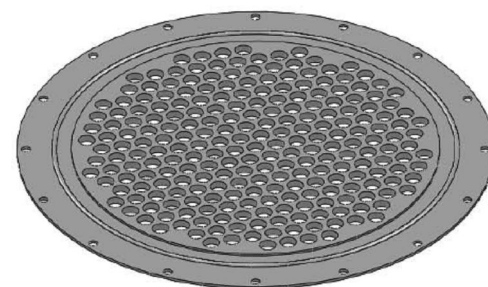
SUPPORTING GRID



Code	Description	DN	Catalog ref.
SQDI028265	SUPPORTING GRID	DN150	ST/TRR 150
SQDI028266	SUPPORTING GRID	DN200	ST/TRR 200
SQDI028238	SUPPORTING GRID	DN300	ST/TRR 300
SQDI028240	SUPPORTING GRID	DN400	ST/TRR 400
SQDI028242	SUPPORTING GRID	DN500	ST/TRR 450
SQDI028244	SUPPORTING GRID	DN600	ST/TRR 600

PTFE PERFORATED RETENTION PLATE FOR RASHIG RINGS

Code	Description	DN	Catalog ref.
SQDI010146	PTFE PERFORATED RETENTION PLATE	DN100	ST/FUL 100
SQDI010147	PTFE PERFORATED RETENTION PLATE	DN150	ST/FUL 150
SQDI027908	PTFE PERFORATED RETENTION PLATE	DN200	ST/FUL 200
SQDI027910	PTFE PERFORATED RETENTION PLATE	DN300	ST/FUL 300
SQDI027912	PTFE PERFORATED RETENTION PLATE	DN400	ST/FUL 400
SQDI027914	PTFE PERFORATED RETENTION PLATE	DN450	ST/FUL 450
SQDI027916	PTFE PERFORATED RETENTION PLATE	DN600	ST/FUL 600



GLASS RASHIG-RINGS

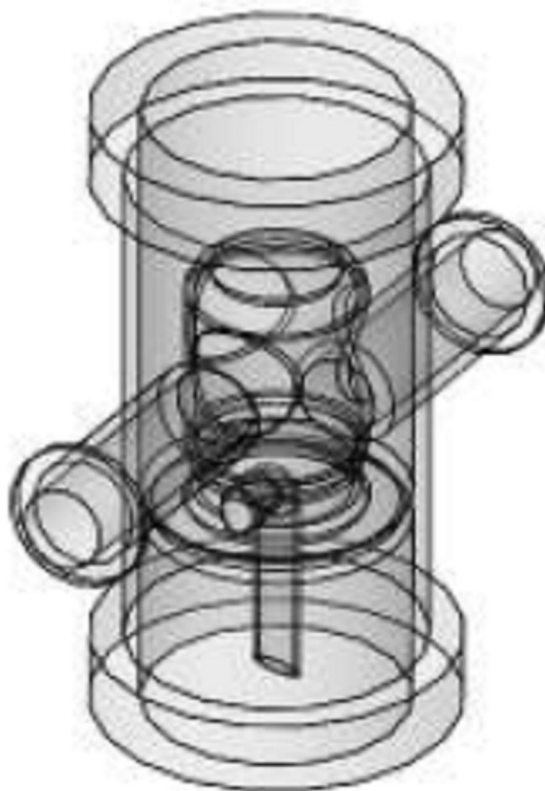
Code	Description	Catalog ref.
SQSO052473	RASHIG-RINGS 8x8x1,0mm	ST/RAS 8
SQSO051920	RASHIG-RINGS 10x10x1,0mm	ST/RAS 10
SQDI047439	RASHIG-RINGS 15x15x1,8mm	ST/RAS 15
SQSO026133	RASHIG-RINGS 20x20x1,8mm	ST/RAS 15
SQSO045580	RASHIG-RINGS 25x25x2,0mm	ST/RAS 25
SQSO062085	RASHIG-RINGS 30x30x2,0mm	ST/RAS 30
SQSO026136	RASHIG-RINGS 40x40x2,3mm	ST/RAS 40
SQSO026137	RASHIG-RINGS 50x50x2,5mm	ST/RAS 50

Other sizes available on request.





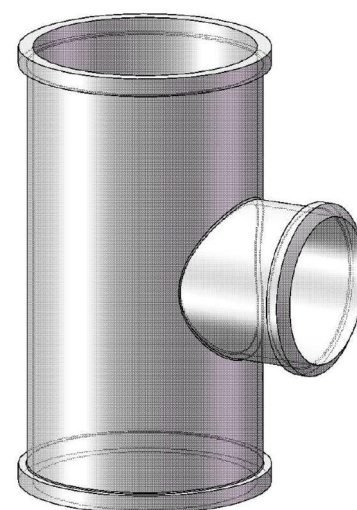
GLASS MANUAL REFLUX SEPARATOR



Code	Description	DN	Catalog ref.
SQDI031183	MANUAL REFLUX SEPARATOR	DN80	ST/RLTM 080
SQDI031173	MANUAL REFLUX SEPARATOR	DN100	ST/RLTM 100
SQDI031174	MANUAL REFLUX SEPARATOR	DN150	ST/RLTM 150
SQDI031176	MANUAL REFLUX SEPARATOR	DN200	ST/RLTM 200
SQDI031179	MANUAL REFLUX SEPARATOR	DN300	ST/RLTM 300

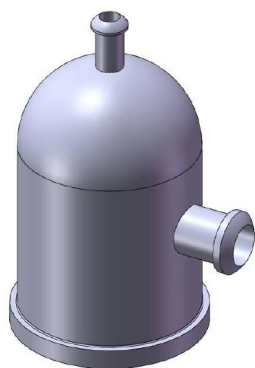
UNEQUAL TEE PIECE

Code	Description	DN 1	DN 2	Catalog ref.
SQSO029694	UNEQUAL T-PIECE	DN80	DN25	ST/TS 80/25/331
SQSO029698	UNEQUAL T-PIECE	DN80	DN50	ST/TS 80/50/331
SQSO029791	UNEQUAL T-PIECE	DN100	DN25	ST/TS 100/25/331
SQSO029794	UNEQUAL T-PIECE	DN100	DN50	ST/TS 100/50/331
SQSO029799	UNEQUAL T-PIECE	DN150	DN25	ST/TS 150/25/331
SQSO029803	UNEQUAL T-PIECE	DN150	DN50	ST/TS 150/50/331
SQSO029659	UNEQUAL T-PIECE	DN150	DN80	ST/TS 150/80/331
SQSO029812	UNEQUAL T-PIECE	DN200	DN50	ST/TS 200/50/331
SQSO029814	UNEQUAL T-PIECE	DN200	DN80	ST/TS 200/80/331
SQSO029806	UNEQUAL T-PIECE	DN200	DN100	ST/TS 200/100/331
SXSO058224	UNEQUAL T-PIECE	DN200	DN150	ST/TS 200/150/331
SQSO029823	UNEQUAL T-PIECE	DN300	DN50	ST/TS 300/50/331
SQSO029825	UNEQUAL T-PIECE	DN300	DN80	ST/TS 300/80/331
SQSO083477	UNEQUAL T-PIECE	DN300	DN100	ST/TS 300/100/331
SQSO029818	UNEQUAL T-PIECE	DN300	DN150	ST/TS 300/150/331
SQSO029827	UNEQUAL T-PIECE	DN400	DN80	ST/TS 400/100/331
SQSO029826	UNEQUAL T-PIECE	DN400	DN150	ST/TS 400/150/331
SQSO029829	UNEQUAL T-PIECE	DN450	DN80	ST/TS 450/80/331
SQSO029828	UNEQUAL T-PIECE	DN450	DN150	ST/TS 450/150/331
SQSO029832	UNEQUAL T-PIECE	DN600	DN80	ST/TS 600/150/331
SQSO029830	UNEQUAL T-PIECE	DN600	DN150	ST/TS 600/150/331
SQSO029831	UNEQUAL T-PIECE	DN600	DN300	ST/TS 600/300/331



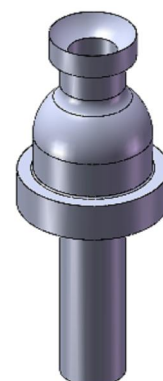
CLOSING COVERS

Code	Description	DN 1	DN 2	DN3	H	Catalog ref.
SQDI026655	CLOSING COVER	DN80/P	DN25/M	DN25/M	300mm	ST/ABS 80/25
SQDI026656	CLOSING COVER	DN80/P	DN25/M	DN50/M	300mm	ST/ABS 80/50
SQDI083478	CLOSING COVER	DN100/P	DN25/M	DN25/M	300mm	ST/ABS 100/25
SQDI006272	CLOSING COVER	DN100/P	DN25/M	DN50/M	300mm	ST/ABS 100/50
SQDI006273	CLOSING COVER	DN150/P	DN25/M	DN50/M	350mm	ST/ABS 150/50
SQDI046619	CLOSING COVER	DN150/P	DN25/M	DN80/M	350mm	ST/ABS 150/80
SQDI026664	CLOSING COVER	DN200/P	DN50/M	DN50/M	400mm	ST/ABS 200/50
SQDI006183	CLOSING COVER	DN200/P	DN50/M	DN80/M	400mm	ST/ABS 200/80
SQDI083479	CLOSING COVER	DN200/P	DN50/M	DN100/M	450mm	ST/ABS 200/100
SQDI026558	CLOSING COVER	DN300/P	DN50/M	DN50/M	500mm	ST/ABS 300/50
SQDI026559	CLOSING COVER	DN300/P	DN50/M	DN80/M	500mm	ST/ABS 300/80
SQDI026560	CLOSING COVER	DN300/P	DN50/M	DN100/M	500mm	ST/ABS 300/100
SQDI026563	CLOSING COVER	DN300/P	DN50/M	DN150/M	550mm	ST/ABS 300/150
SQDI026568	CLOSING COVER	DN400/P	DN50/M	DN80/M	550mm	ST/ABS 400/80
SQDI026571	CLOSING COVER	DN400/P	DN50/M	DN150/M	650mm	ST/ABS 400/150
SQDI026573	CLOSING COVER	DN400/P	DN50/M	DN200/M	750mm	ST/ABS 400/200
SQDI026569	CLOSING COVER	DN400/P	DN80/M	DN80/M	550mm	ST/ABS 400/80/80
SQDI083480	CLOSING COVER	DN400/P	DN80/M	DN150/M	650mm	ST/ABS 400/80/150
SQDI083481	CLOSING COVER	DN400/P	DN80/M	DN200/M	750mm	ST/ABS 400/80/200
SQDI026575	CLOSING COVER	DN450/P	DN50/M	DN80/M	650mm	ST/ABS 450/80
SQDI026577	CLOSING COVER	DN450/P	DN50/M	DN150/M	700mm	ST/ABS 450/150
SQDI026580	CLOSING COVER	DN450/P	DN50/M	DN200/M	800mm	ST/ABS 450/200
SQDI026576	CLOSING COVER	DN450/P	DN80/M	DN80/M	650mm	ST/ABS 450/80/80
SQDI026581	CLOSING COVER	DN450/P	DN80/M	DN150/M	700mm	ST/ABS 450/80/150
SQDI083482	CLOSING COVER	DN450/P	DN80/M	DN200/M	800mm	ST/ABS 450/80/200
SQDI083483	CLOSING COVER	DN600/P	DN80/M	DN80/M	850mm	ST/ABS 600/80/80
SQDI083484	CLOSING COVER	DN600/P	DN80/M	DN200/M	850mm	ST/ABS 600/80/200
SQDI083485	CLOSING COVER	DN600/P	DN80/M	DN300/M	850mm	ST/ABS 600/80/300



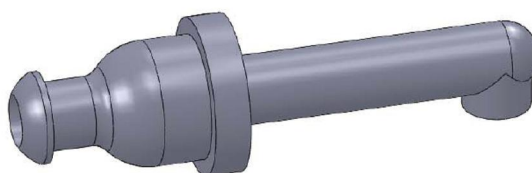
INLET PIPES

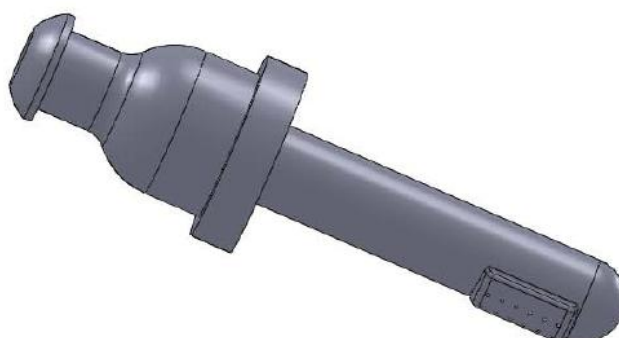
Code	Description	DN 1	DN 2	L1	L2	Catalog ref.
SQDI032416	INLET PIPE	DN25	DN15	100	100	ST/EIN/25/15/100/22
SQDI007773	INLET PIPE	DN50	DN25	100	100	ST/EIN/50/25/100/22
SQDI083486	INLET PIPE	DN80	DN50	125	100	ST/EIN/80/50/100/22
SQDI083487	INLET PIPE	DN100	DN80	150	100	ST/EIN/100/80/100/22



INLET PIPES, ANGLED

Code	Description	DN 1	DN 2	L1	L2	Catalog ref.
SQDI083488	INLET PIPE, ANGLED	DN25	DN15	100	100	ST/EIN/25/15/100/W
SQDI083489	INLET PIPE, ANGLED	DN50	DN25	100	100	ST/EIN/50/25/100/W
SQDI083490	INLET PIPE, ANGLED	DN50	DN25	100	125	ST/EIN/50/25/125/W
SQDI083491	INLET PIPE, ANGLED	DN50	DN25	100	150	ST/EIN/50/25/150/W
SQDI083492	INLET PIPE, ANGLED	DN50	DN25	100	175	ST/EIN/50/25/175/W
SQDI083493	INLET PIPE, ANGLED	DN50	DN25	100	225	ST/EIN/50/25/225/W
SQDI083494	INLET PIPE, ANGLED	DN80	DN50	125	300	ST/EIN/80/50/225/W
SQDI083496	INLET PIPE, ANGLED	DN80	DN50	125	325	ST/EIN/80/50/225/W
SQDI083497	INLET PIPE, ANGLED	DN80	DN50	125	400	ST/EIN/80/50/225/W





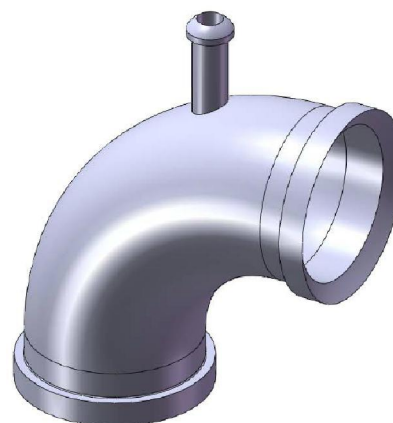
SPRINKLERS FOR HORIZONTAL MOUNTING

Code	Description	DN1	DN2	L	Catalog ref.
SQDI030983	SPRINKLER FOR HORIZONTAL MOUNTING	DN25 F	DN15 F	100mm	ST/BRA 25F/15F/100/W
SQDI022384	SPRINKLER FOR HORIZONTAL MOUNTING	DN25 F	DN25 F	175mm	ST/BRA 25F/25F/175/W
SQDI072028	SPRINKLER FOR HORIZONTAL MOUNTING	DN40 P	DN15 M	120mm	ST/BRA 40P/15M/120/W
SQDI076419	SPRINKLER FOR HORIZONTAL MOUNTING	DN40 P	DN15 M	180mm	ST/BRA 40P/15M/180/W
SQDI030984	SPRINKLER FOR HORIZONTAL MOUNTING	DN50 F	DN25 F	125mm	ST/BRA 50F/25F/125/W
SQDI030985	SPRINKLER FOR HORIZONTAL MOUNTING	DN50 F	DN25 M	150mm	ST/BRA 50F/25M/150/W
SQDI030986	SPRINKLER FOR HORIZONTAL MOUNTING	DN50 F	DN25 F	175mm	ST/BRA 50F/25F/175/W
SQDI030987	SPRINKLER FOR HORIZONTAL MOUNTING	DN50 F	DN25 F	225mm	ST/BRA 50F/25F/225/W
SQDI072286	SPRINKLER FOR HORIZONTAL MOUNTING	DN50 F	DN25 P	225mm	ST/BRA 50F/25P/225/W
SQDI030988	SPRINKLER FOR HORIZONTAL MOUNTING	DN50 F	DN25 F	275mm	ST/BRA 50F/25F/275/W
SQDI030989	SPRINKLER FOR HORIZONTAL MOUNTING	DN50 F	DN25 F	300mm	ST/BRA 50F/25F/300/W
SQDI072340	SPRINKLER FOR HORIZONTAL MOUNTING	DN50 F	DN25 P	300mm	ST/BRA 50F/25P/175/W
SQDI030990	SPRINKLER FOR HORIZONTAL MOUNTING	DN50 F	DN25 F	375mm	ST/BRA 50F/25F/375/W
SQDI030991	SPRINKLER FOR HORIZONTAL MOUNTING	DN80F	DN25 F	300mm	ST/BRA 80F/25F/300/W
SQDI030992	SPRINKLER FOR HORIZONTAL MOUNTING	DN80F	DN25 F	325mm	ST/BRA 80F/25F/325/W
SQDI030993	SPRINKLER FOR HORIZONTAL MOUNTING	DN80F	DN25 F	400mm	ST/BRA 80F/25F/400/W



SPRINKLERS FOR VERTICAL MOUNTING

Code	Description	DN1	DN2	L	Catalog ref.
SQDI047526	SPRINKLER FOR VERTICAL MOUNTING	DN50 M	DN15 M	300mm	ST/BRA 50M/15M/300/S
SQDI030995	SPRINKLER FOR VERTICAL MOUNTING	DN50 M	DN15 F	350mm	ST/BRA 50M/15F/350/S
SQDI037590	SPRINKLER FOR VERTICAL MOUNTING	DN50 F	DN25 F	300mm	ST/BRA 50F/25F/300/S
SQDI030996	SPRINKLER FOR VERTICAL MOUNTING	DN50 F	DN25 F	400mm	ST/BRA 50F/25F/400/S
SQDI030997	SPRINKLER FOR VERTICAL MOUNTING	DN50 F	DN25 F	620mm	ST/BRA 50F/25F/620/S



BENDS 90° WITH MEASUREMENT BRANCH

Code	Description	DN1	DN2	Catalog ref.
SQSO027447	BENDS 90° WITH MEASUREMENT BRANCH	DN50 F/F	DN15 M	ST/APK 50FF/15M
SQSO027448	BENDS 90° WITH MEASUREMENT BRANCH	DN80 M/F	DN25 M	ST/APK 80MF/25M
SQSO008267	BENDS 90° WITH MEASUREMENT BRANCH	DN150 F/F	DN25 M	ST/APK 150FF/25M
SQSO008268	BENDS 90° WITH MEASUREMENT BRANCH	DN200 F/F	DN25 M	ST/APK 200FF/25M
SQSO027446	BENDS 90° WITH MEASUREMENT BRANCH	DN300 F/F	DN25 M	ST/APK 300FF/25M