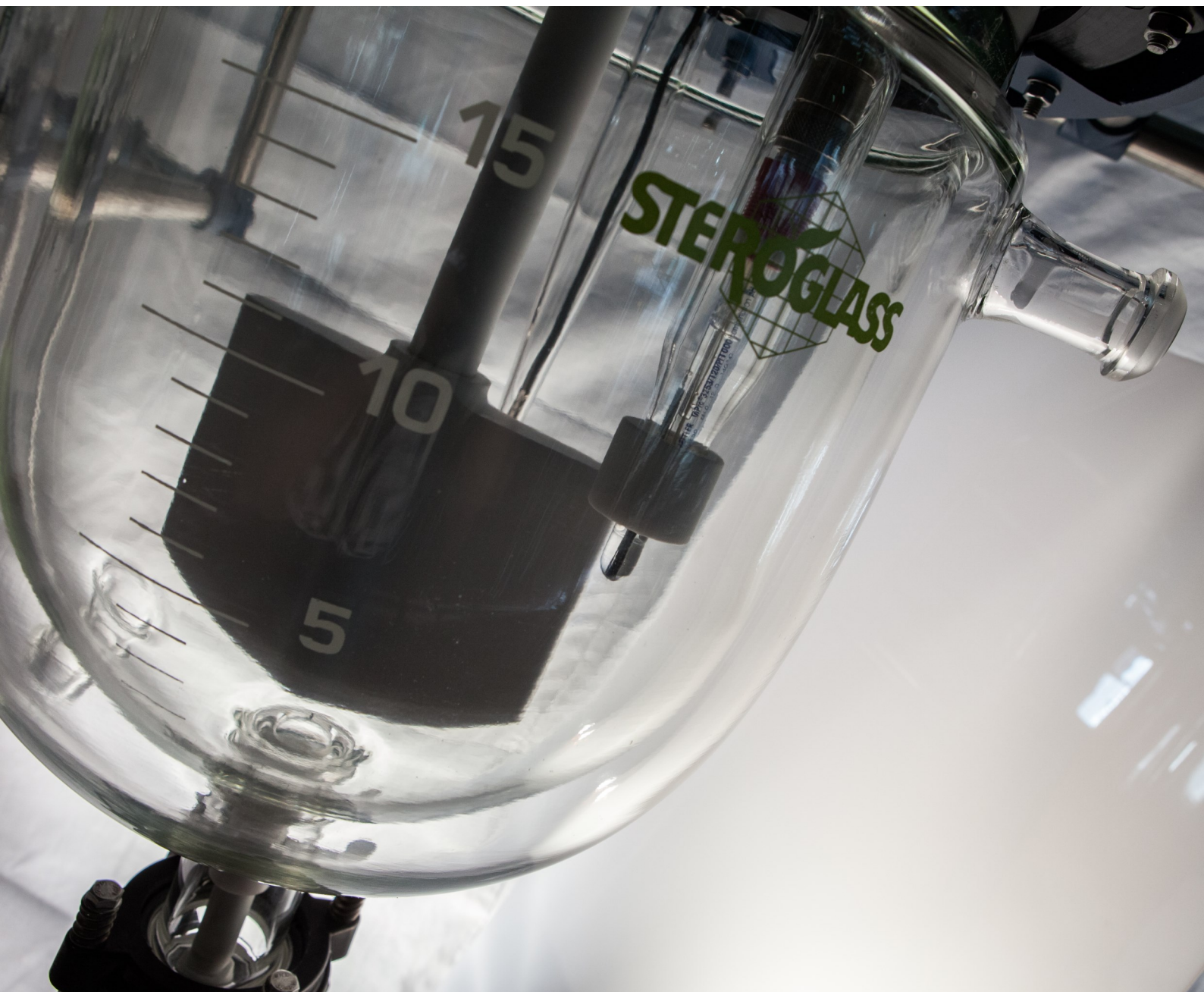


VESSELS

Chapter 3



CONTENTS

Page

INTRODUCTION	3
Basic spherical vessel without discharge	4
Basic spherical vessel with discharge	4
Spherical vessel	5
Cylindrical vessel with discharge	8
Cylindrical vessel with reduced neck branch	9
Cylindrical vessel with discharge	10
Cylindrical jacketed dismountable vessels with discharge	12
Jacketed graduated vessels with flat bottom	13
Liquid inletting, receiving and transferring flasks	14
Jacketed recipient for filter, Quick release flange	16
Jacketed recipient for filter, Industrial type flange	17
Lid p with necks m.	18
Inlet pipes for spherical vessel	19
Inlet pipes	19

INTRODUCTION



Steroglass is a company operating on a global level in the chemical, biotechnological and pharmaceutical fields. Headquartered in Perugia, Italy and fully owned by Stefano and Roberto Falocci.

It all began more than 50 years ago. Mr. Luigi Falocci, the founder and forerunner of the company, a very resourceful man, created unique hand-blown products used since the early 60's by the most renowned Italian chemists. In just a few years the Falocci family has strived to achieve remarkable goals by designing and manufacturing borosilicate glass lab equipment, industrial plants for chemical and pharmaceutical purposes as well as electronical instruments with high-tech mechanical components and related software.

Steroglass has mainly focused on evaporation, titolation, metal detection, enzymatic and colorimetric analyses.

In recent years we have added to our innovative production a big variety of worldwide imported products so as to complete our own range, thus meeting most of our researchers and lab analystis' requirements. We offer our clients state-of-the-art solutions, pursuing a local and global partnership intended to cover every customer need, always bearing in mind environmental sustainability. Our cost-effective and innovative solutions for any glassware requirements, while giving high quality and constant service, also consolidate and increase competitiveness as well as meeting the standards demanded by the market and creating new strategic opportunities.

We trust that Glass will continue to be a valuable source for research, testing and production.

R&D continuous efforts, marketing-oriented attitude and a special attention to personal and professional growth of all employees allow us to compete at highest levels worldwide. We believe fair leadership can achieve results, grow talent and reward merit.

Blueside, a new Steroglass brand, has added value to our outstanding mastery in the borosilicate glass by turning scientific glass products into artistic objects which stand out in the excellent Made in Italy.

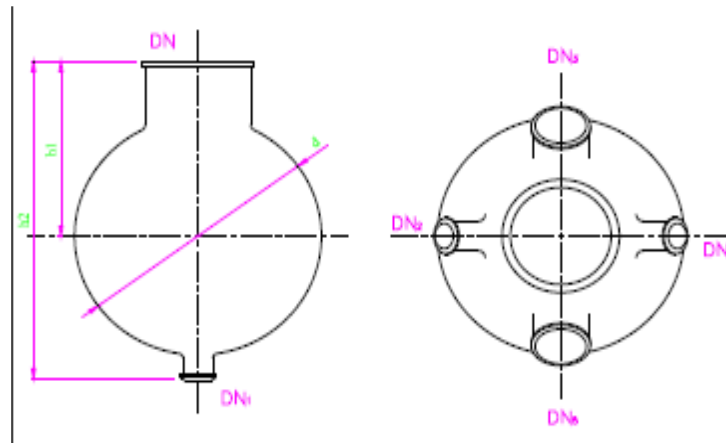
BASIC SPHERICAL VESSELS WITHOUT DISCHARGE

Code	Description	Volume	DN	D	Height
SXEG041624	BASIC SPHERICAL VESSEL	5L	DN100	220mm	300mm
SXEG041625	BASIC SPHERICAL VESSEL	10L	DN100	280mm	390mm
SXEG041626	BASIC SPHERICAL VESSEL	20L	DN100	350mm	475mm
SXEG041627	BASIC SPHERICAL VESSEL	50L	DN200	490mm	640mm
SXEG041628	BASIC SPHERICAL VESSEL	100L	DN200	610mm	735mm
SXEG041629	BASIC SPHERICAL VESSEL	200L	DN300	750mm	890mm

BASIC SPHERICAL VESSELS WITH DISCHARGE

Code	Description	Volume	Discharge	DN	D	Height
SQEG029067	BASIC SPHERICAL VESSEL	5L	DN15 M	DN100	220mm	350mm
SXEG041631	BASIC SPHERICAL VESSEL	10L	DN25 M	DN100	280mm	450mm
SQEG060982	BASIC SPHERICAL VESSEL	20L	DN25 M	DN100	350mm	550mm
SQEG029068	BASIC SPHERICAL VESSEL	50L	DN25 M	DN200	490mm	700mm
SQEG029058	BASIC SPHERICAL VESSEL	100L	DN25 M	DN200	610mm	825mm
SQEG029064	BASIC SPHERICAL VESSEL	200L	DN25 M	DN300	750mm	1.000mm

SPHERICAL VESSELS

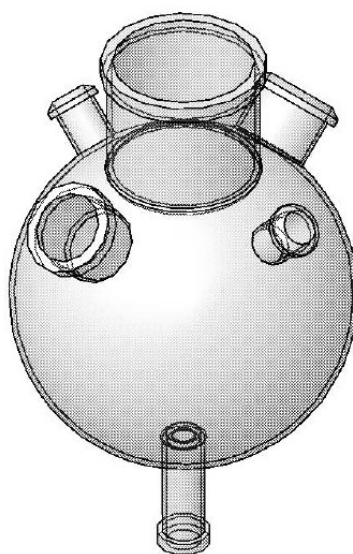


Code	Volume	Central DN	Discharge DN1	DN2 h3	DN3 h9	DN4 H6	DN5 H12	D MM	H1 MM	H2 MM
SQEG067382	5L	100P	15M	50P	-	-	-	220	330	-
SQEG083464	5L	80P	-	25M	-	-	-	223	-	300
SQEG083465	5L	50M	15M	15M	-	-	-	-	-	-
SQEG083466	5L	100P	15M	15M	-	-	-	-	-	-
SQEG067388	10L	150P	15M	50P	-	-	-	-	-	-
SQEG058184	10L	50P	-	25P	-	25P	-	280	250	-
SQEG071863	10L	50P	25M	25M	-	-	50P	280	250	-
SQEG083467	10L	100P	25M	15M	-	-	-	280	250	450
SQEG016067	20L	100P	-	25M	-	100P	-	-	-	-
SQSO047915	20L	100P	-	25M	25M	-	-	50M	-	-
SQEG062394	20L	100P	-	25M	25M	50M	50P	350	300	-
SQEG057583	20L	100P	-	50M	100P	-	100P	350	300	-
SQEG047646	20L	100P	-	25M	50M	100M	50M	350	300	-
SQEG047646	20L	100P	-	25M	50M	100M	50M	350	300	-
SQEG065813	20L	100P	-	25M	80P	50P	50P	350	300	-
SQEG083468	20L	100P	-	50M	80P	50M	-	-	-	475
SQEG028921	20L	100P	25M	25M	-	-	50M	350	300	500
SQEG037912	20L	100P	32VB	25M	-	100P	-	350	-	625
SQEG042929	20L	100P	50M	-	-	-	-	-	-	-

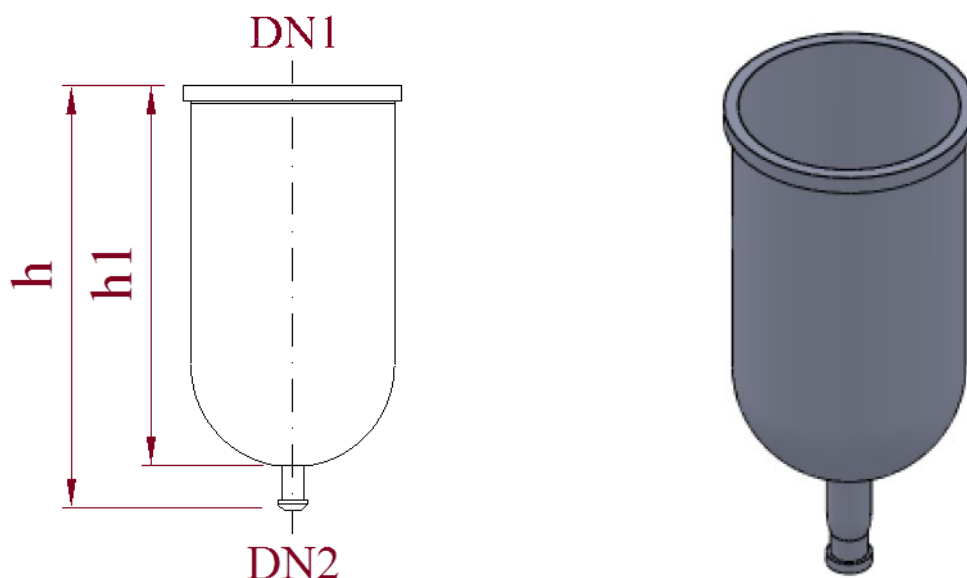
Code	Volume	Central DN	Discharge DN1	DN2 h3	DN3 h9	DN4 H6	DN5 H12	D MM	H1 MM	H2 MM
SQEG042929	20L	100P	50M	-	-	-	-	-	-	-
SQEG058361	20L	100P	40P	25P	-	-	50P	-	-	-
SQEG065667	20L	100P	40VB	25M	-	80P	80M	350	475	550
SQEG068762	20L	100P	40VB	25M	50M	80P	80M	350	475	550
SQEG034905	20L	100P	50M	50M	50M	-	-	-	-	-
SQEG042929	20L	100P	50M	25M	50M	100P	50M	350	300	550
SQEG038418	20L	100P	50P	25M	50M	100P	50M	350	300	550
SQEG061322	20L	100P	50VB	25M	25M	100P	50M	350	475	-
SQEG044345	20L	100P	50VB	50M	50M	100P	50M	350	300	615
SQEG069223	20L	100P	50VB	25M	50M	80P	80M	350	475	550
SQEG069234	20L	100P	50VB	25M	-	80P	80M	350	475	550
SQEG070911	20L	100P	80VB	25M	25M	50M	100P	350	475	-
SQEG047170	20L	150P	-	50M	-	-	-	-	-	475
SQEG035748	20L	150P	25M	50M	-	-	-	-	-	475
SQEG074084	20L	150P	25M	25M	-	80P	50M	490	300	545
SQEG058183	50L	200P	-	25P	50P	100P	-	490	400	645
SQEG064851	50L	200P	-	50M	50M	100M	100P	490	400	645
SQEG072118	50L	200P	-	25M	100M	25M	150P	490	400	645
SQEG064848	50L	200P	-	50M	100M	50M	150P	490	400	645
SQEG065701	50L	200P	40M	25P	25P	-	-	-	-	-
SQEG028922	50L	200P	25M	50M	-	-	80M	490	400	700
SQEG059430	50L	200P	50M	25M	50M	100P	25M	-	-	-
SQEG037075	50L	200P	50M	25M	50M	100P	50M	-	-	-
SQEG066504	50L	200P	50VB	50M	50M	50M	150P	490	400	725
SQEG062863	50L	200P	80P	150P	150F	-	-	490	-	788
SQEG083451	100L	200P	-	25M	50M	150M	-	610	450	735
SQEG058187	100L	200P	-	25M	150M	150P	-	610	450	825
SQEG039290	100L	200P	25M	25M	50M	100M	100M	610	450	825
SQEG043236	100L	200P	25M	50M	-	-	80M	610	-	-
SQEG045923	100L	200P	25M	100F	-	-	-	610	-	860
SQEG083452	100L	200P	40P	25M	25M	-	-	610	430	805

15 STEROGLOSS

Code	Volume	Central DN	Discharge DN1	DN2 h3	DN3 h9	DN4 H6	DN5 H12	D MM	H1 MM	H2 MM
SQEG062401	100L	200P	40M	25P	40P	-	-	610	430	810
SQEG083453	100L	200P	50P	150P	-	-	-	610	-	898
SQEG066505	100L	200P	50VB	50M	50M	50M	150P	610	-	-
SQEG083454	100L	200P	50VB	50M	50M	100M	100P	610	-	-
SQEG083455	100L	200P	80P	25M	100M	150P	50P	610	-	905
SQEG044341	100L	200P	80VB	50M	50M	80M	-	610	-	885
SQEG083456	100L	200P	80P	50M	50M	100M	150P	610	-	-
SQEG083457	100L	200P	80VB	25M	150P	150M	50M	610	-	-
SQEG034598	100L	300P	25M	50M	-	-	80M	610	-	825
SQEG047649	200L	300P	-	40P	-	100P	-	750	550	925
SQEG083458	200L	300P	-	40P	-	-	100P	750	550	925
SQEG083459	200L	300P	50VB	50M	50M	100M	100P	750	-	-
SQEG083460	200L	300P	50VB	50M	50M	150M	150P	750	-	-
SQEG083461	200L	300P	50VB	200P	-	-	-	-	-	-
SQEG060740	200L	300P	50VB	50M	150M	50M	100P	-	-	1075
SQEG043286	200L	300P	50VB	50P	100P	50P	150P	-	-	-
SQEG061304	200L	300P	80VB	50M	50M	150P	100M	-	-	-



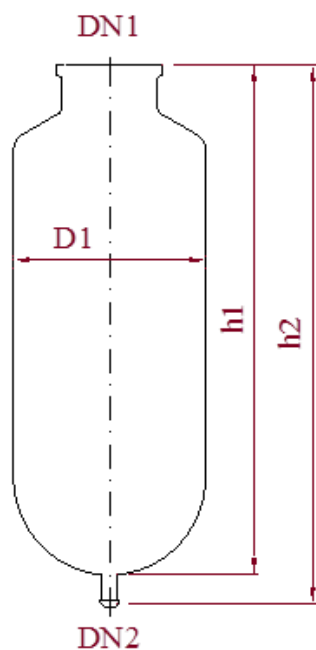
CYLINDRICAL VESSELS WITH DISCHARGE



Code	Description	Volume	Discharge	DN	Height	Height 1
SQEG029905	CYLINDRICAL VESSEL	5L	25M	200	350	290
SQEG029906	CYLINDRICAL VESSEL	10L	25M	200	550	490
SQEG029907	CYLINDRICAL VESSEL	30L	25M	300	650	590
SQEG019336	CYLINDRICAL VESSEL	50L	25M	300	900	840
SQEG029908	CYLINDRICAL VESSEL	100L	25M	400	1000	940
SQEG029909	CYLINDRICAL VESSEL	200L	25M	400	1400	1340
SQEG083462	CYLINDRICAL VESSEL	200L	50M	450	1500	1440
SQEG083463	CYLINDRICAL VESSEL	400L	50M	600	1625	1540

15 STEROGLOSS

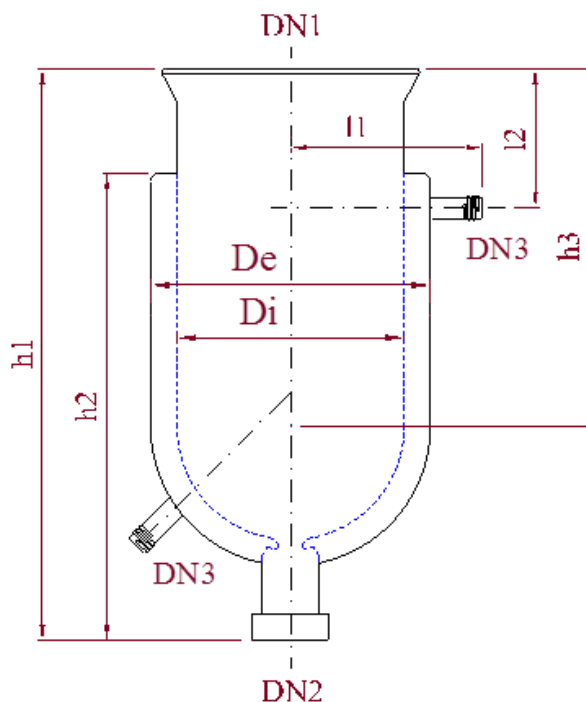
CYLINDRICAL VESSEL WITH REDUCED NECK BRANCH



Code	Description	Volume	DN1	DN2	H1	H2	D1
SQEG029882	CYLINDRICAL VESSEL	50L	150	25M	1000	940	315
SQEG029884	CYLINDRICAL VESSEL	100L	200	25M	1150	11090	420
SQEG056591	CYLINDRICAL VESSEL	200L	200	25M	1625	1565	470
SQEG029887	CYLINDRICAL VESSEL	300L	200	50M	1500	1412	625

CYLINDRICAL VESSELS WITH DISCHARGE

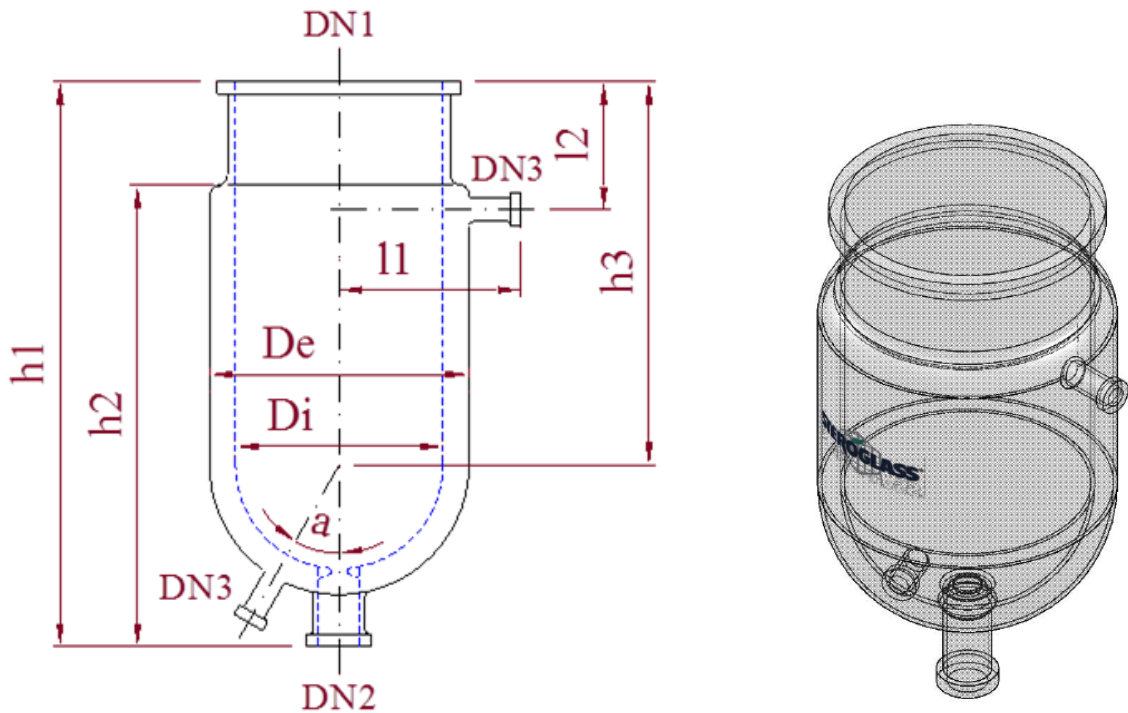
jacketed cylindrical vessel with Torion type discharge (possible graduation) . Quick release flange.
Flange connection: flange or hose connection.



Code	Volume	DN1	DN2	DN3	H1 MM	L1	L2	OD	ID
SQEG067005	1L	120	Torion 14	GL18	265	110	80	160	120
SQEG063573	2L	120	25	GL14	330	110	80	160	120.
SQEG052540	3L	120	25	Hose10	455	110	80	160	120
SQEG066816	10L	150	25	GL14	570	150	150	250	200
SQEG067525	10L	200	25	15/M	540	180	-	250	200

CYLINDRICAL VESSELS WITH DISCHARGE

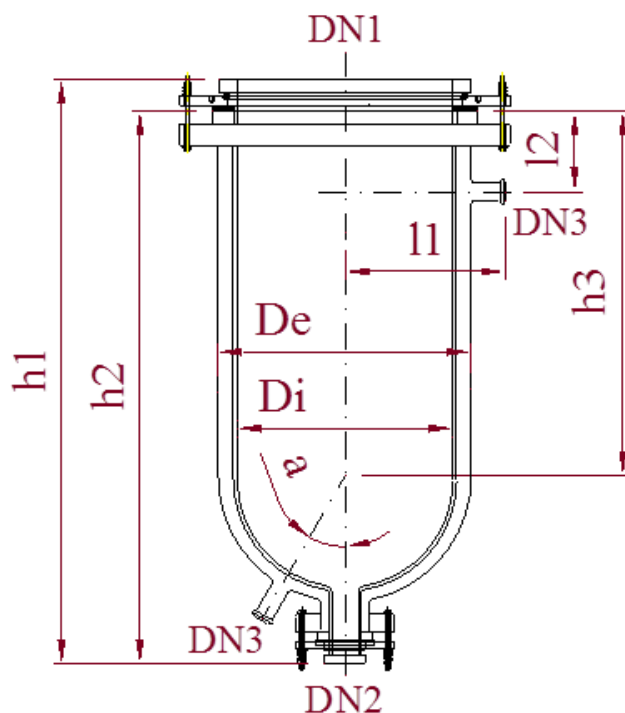
jacketed cylindrical vessel with VB type discharge (possible graduation).



Code	Volume	DN1	DN2	DN3	H1 MM	L1	L2	OD	ID
SQHL038992	3L	150P	40P	15P	400	155	105	215	150
SQEG071131	5L	150	40	15	420	175	130	250	200
SQEG071132	5L	200	40	15	385	175	125	250	200
SQEG066064	10L	200	40	15	545	175	125	250	200
SQEG065149	10L	200P	50VB	15P	615	175	125	250	200
SQEG064794	15L	300	50VBP	25M	570	255	160	365	300
SQEG065663	20L	300	50	25M	610	255	160	365	300
SQEG044905	20L	300	50P	25P	700	160	160	365	300
SQEG073714	25L	300	50P	25P	710	160	160	365	300
SQEG055076	25L	300	50VB	25P	710	160	160	365	300
SQEG066063	30L	300	50VB	25P	780	255	160	365	300
SQEG075094	50L	400	50VB	25P	850	320	200	486	400
SQEG075095	100L	400	50VB	25P	1250	320	200	486	400

CYLINDRICAL JACKETED DISMOUNTABLE VESSELS WITH DISCHARGE.

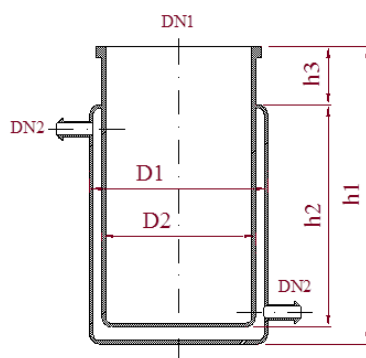
Industrial flange, VB discharge.



Code	Volume	DN1	DN2	DN3	H1 MM	H2 MM	L1	L2	ID
SQEG062749	50L	300P	50P	25P	980	930		415	300
SQEG057107	50L	300P	80P	25P	990	940		415	300
SQEG062336	50L	400P	50P	25P	755	695		465	400
SQEG062291	100L	400P	50P	25P	1090	1030		465	400
SQEG071145	100L	400P	80P	25P	1090	1030		465	400

JACKETED GRADUATED VESSELS WITH FLAT BOTTOM.

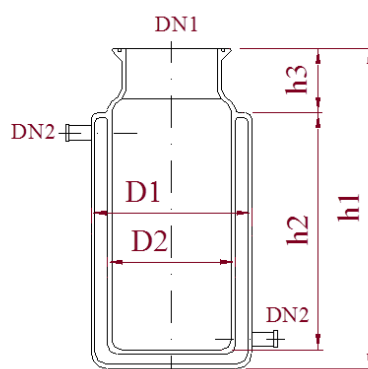
With quick release flange.



Code	Volume	DN1	DN2	H1 MM	H2 MM	H3 MM	OD	ID
SQEG064155	0,5L	100	15P	160	85	60	130	100
SQEG064153	1L	100	15P	215	140	60	130	100
SQEG067603	5L	150	15P	315	185	100	250	200
SQEG064919	5L	200	GL14	307	227	80	250	200
SQEG067602	10L	150	15P	500	370	100	250	200
SQEG058166	10L	150	PG12	480	350	100	250	200

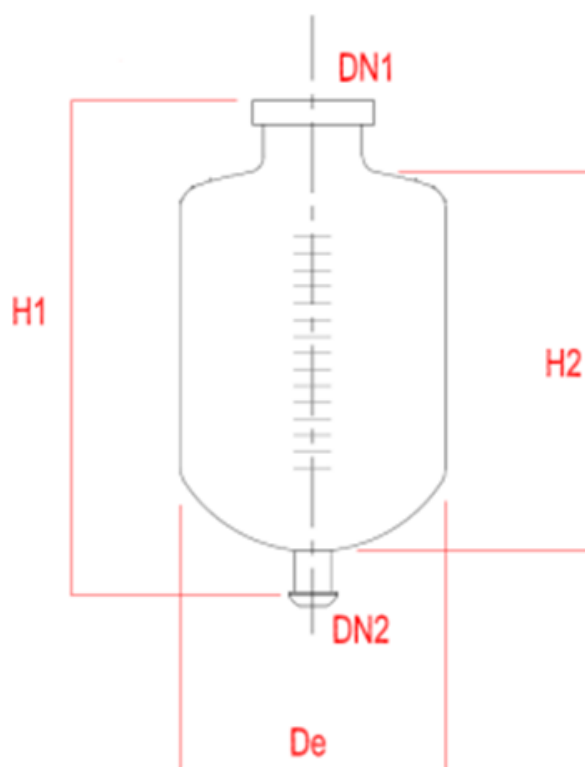
JACKETED GRADUATED VESSELS WITH FLAT BOTTOM.

With industrial type flange.



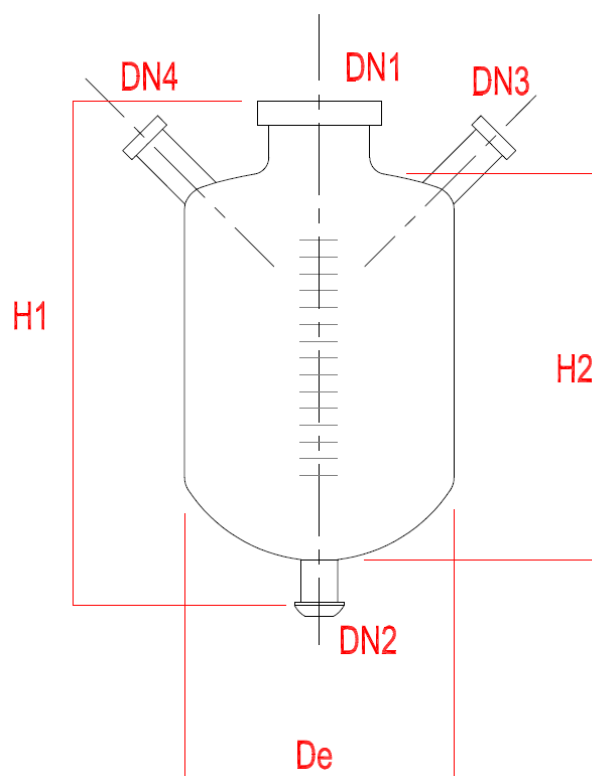
Code	Volume	DN1	DN2	H1 MM	H2 MM	H3 MM	OD	ID
SQEG069867	4L	160	PG12	370	300	70	200	170
SQEG057517	30L	300P	25M	610	455	120	365	-
SQEG059694	40L	300P	PG16	705	590	90	365	315

LIQUIDS INLETING, RECEIVING AND TRANSFERRING FLASKS



Code	Volume	DN1	DN2	H1 MM	H2 MM	OD
SQEG065419	2L	25P	15M	310	250	136
SQEG068946	5L	40P	25M	390	270	186
SQEG062846	5L	50P	25M	390	270	186
SQEG062845	10L	50P	25M	500	330	250
SQEG067378	20L	50P	25M	540	410	310
SQEG065436	25L	50P	25M	560	440	315
SQEG066689	50L	50P	25M	670	590	410

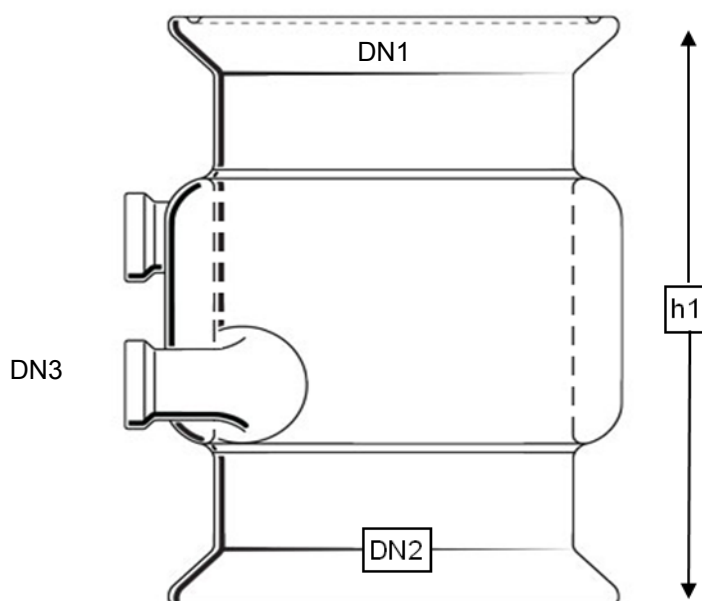
LIQUIDS INLETTING, RECEIVING AND TRANSFERRING FLASKS



Code	Volume	DN1	DN2	DN3	DN4	H1 MM	H2 MM	OD
SQEG083469	2L	25P	15M	15M	15M	310	250	136
SQEG073338	5L	25P	15M	15M	15M	390	270	186
SQSO075405	10L	25P	15M	15M	15M	500	330	240
SQEG068767	10L	50M	25M	15M	-	500	330	240
SQEG064163	10L	50M	15M	25M	25M	450	330	240
SQEG073835	10L	80P	15M	25P	25P	450	330	240
SQEG083470	25L	25M	25M	15M	15M	560	440	315
SQEG064851	25L	50M	25M	15M	15M	560	440	315
SQEG064946	50L	100P	25M	50M	-	695	590	415

JACKETED RECIPIENT FOR FILTER

Quick release flange



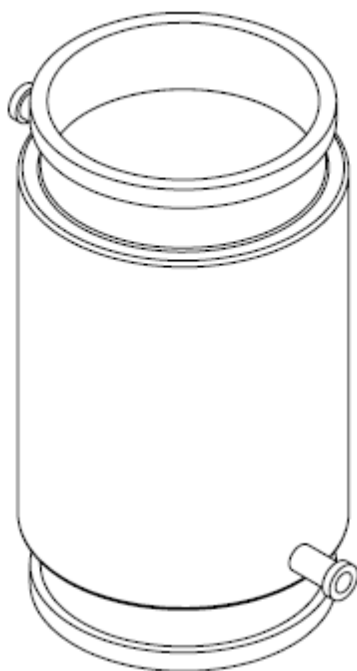
Code	Volume	DN1	DN2	DN3	H2H1 MM
SQEG072076	1L	100R	100R	DN10	190
SQEG072077	2L	100R	100R	DN10	320
SQEG072078	3L	100R	100R	DN10	300
SQEG071859	10L	200R	200R	DN15P	550

15

STEROGLASS

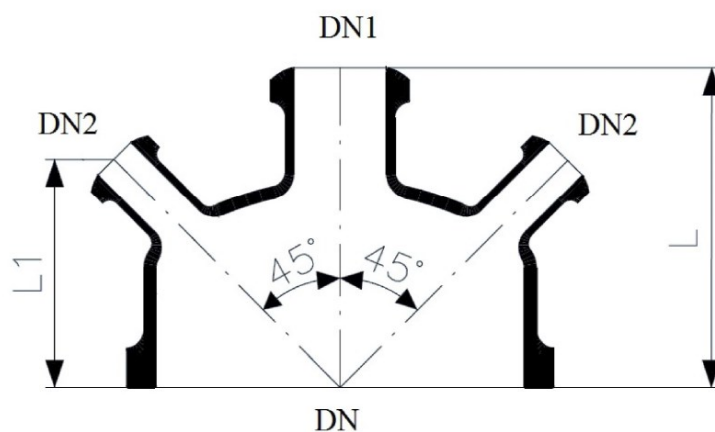
JACKETED RECIPIENT FOR FILTER

Industrial type flange



Code	Volume	DN1	DN2	DN3	H2H1 MM
SQEG071062	15L	300	200R	DN25M	550
SXEG076014	30L	300	300	DN25P	650
SXEG076013	70L	400	400	DN25P	750

LID P WITH NECKS M.



Code P	DN	DN1	DN2	L MM	L1 MM
SQEG083471	100	25	2 x 25	175	125
SXEG041552	100	50	2 x 25	175	125
SXEG041553	150	25	2 x 25	175	125
SXEG041554	150	50	2 x 25	175	125
SXEG041555	200	25	2 x 25	175	125
SXEG041556	200	50	2 x 25	175	125
SXEG041557	300	25	2 x 25	225	175
SXEG042851	300	50	2 x 25	225	175
SXEG041558	400	50	2 x 25	300	225
SXEG041559	600	50	2 x 50	450	280
SXEG041560	600	100	2 x 50	450	280
SQEG083472	300	50	4 x 25	225	175
SXEG041561	300	100	4 x 25	225	175
SXEG041562	400	50	4 x 25	300	225
SXEG041563	400	100	4 x 25	300	225
SXEG041564	400	150	4 x 25	300	225

INLET PIPES FOR SPHERICAL VESSEL

Code	Description	DN	Catalog ref.
SQDI027131	INLET PIPE FOR SPHERICAL VESSEL	25	ST/EIN 25/10/K
SQDI027133	INLET PIPE FOR SPHERICAL VESSEL	50	ST/EIN 50/20/K
SQDI027135	INLET PIPE FOR SPHERICAL VESSEL	50	ST/EIN 50/50/K
SQDI027132	INLET PIPE FOR SPHERICAL VESSEL	50	ST/EIN 50/100/K
SQDI027134	INLET PIPE FOR SPHERICAL VESSEL	50	ST/EIN 50/200/K

INLET PIPES

Code	Description	DN	Catalog ref.
SQDI032416	INLET PIPE	25	ST/EIN 25/15
SQDI007773	INLET PIPE	50	ST/EIN 50/25
SQDI027163	INLET PIPE	80	ST/EIN 80/50